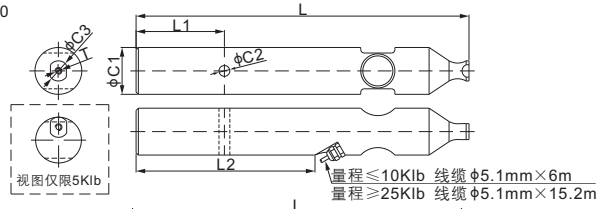


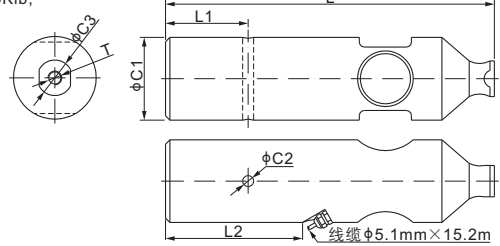
不锈钢



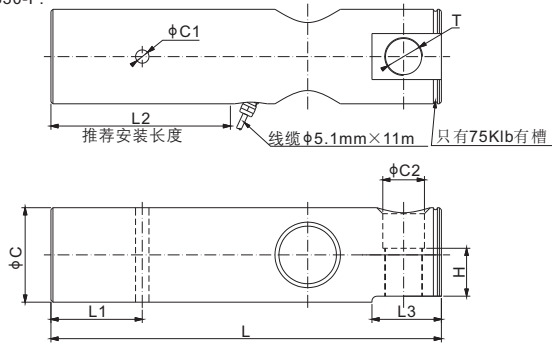
563WS; 563WS30
563WS30-CG,
563WS30-E:



563WS30-50Klb,
563WS30-H:



563WS30-F:



*: NTEP/OIML认证仅限灵敏度 3.0mV/V

尺寸

量程	C1		C2		C3		L		L1		L2		T
563WS:	inch	mm	inch	mm	inch	mm	inch	mm	inch	mm	inch	mm	
1,250	1.25	31.8	0.31	7.9	0.63	16.0	11.50	292.1	3.00	76.2	6.04	153.5	#8-32
2,500	1.62	41.1	0.37	9.4	0.70	17.8	11.50	292.1	3.00	76.2	5.59	142.0	#6-32
5,000	2.00	50.8	0.37	9.4	0.88	22.4	10.88	276.4	3.05	77.5	3.83	97.4	#8-32
10,000	2.50	63.5	0.37	9.4	0.88	22.4	12.63	320.8	3.05	77.5	4.20	106.9	#8-32
25,000	3.50	88.9	0.50	12.7	1.75	44.5	14.88	378.0	3.05	77.5	5.04	128.0	5/16-18 UNC-2B
563WS30:													
lb													
37,500	3.50	88.9	0.50	12.7	1.75	44.5	14.88	378.0	3.05	77.5	5.04	128.0	5/16-18 UNC-2B
50,000	3.74	95.0	0.50	12.7	1.61	40.9	14.88	378.0	3.74	95.0	7.05	179.0	5/8-16 UNC-2B
563WS-CG:													
lb													
25,000	3.50	88.8	0.50	12.7	1.76	44.7	14.88	378.0	3.66	93.1	7.64	194.1	5/16-18 UNC-2B
563WS30-CG:													
lb													
37,500	3.50	88.8	0.50	12.7	1.76	44.7	14.88	378.0	3.66	93.1	7.64	194.1	5/16-18 UNC-2B
563WS30-E:													
lb													
50,000	3.50	88.9	0.50	12.7	1.73	44.0	14.88	378.0	3.51	89.1	7.76	197.0	5/16-24 UNF-2B
563WS30-H:													
lb													
50,000	3.74	95.0	0.51	12.9	1.75	44.5	14.88	378.0	3.63	92.1	7.76	197.0	5/16-24 UNF-2B


尺寸


量程	C	C1	C2	L	L1	L2	L3	H	T								
563WS30-F:	inch	mm	inch	mm	inch	mm	inch	mm	inch								
60,000-75,000	3.75	95.2	0.53	13.5	1.65	42.0	15.5	393.7	3.63	92.1	7.13	181.0	2.76	70.0	1.90	48.3	1-1/2-18 UNEF

技术参数			
灵敏度	563WS: 2.0 mV/V ± 1% 563WS30: 3.0 mV/V ± 1%	输入阻抗	563WS;563WS30(CG): 350Ω ± 7 563WS30-F: 375Ω ± 25
零位输出	± 0.02 mV/V	输出阻抗	350Ω ± 3
非线性	563WS;563WS30(CG): < ± 0.023% 563WS30-E(-F; -H): < ± 0.02%	额定激励电压	10V (15V 最大)
重复性	563WS;563WS30(CG): < ± 0.023% 563WS30-E(-F; -H): < ± 0.02%	绝缘阻抗	>2 [50V DC] GΩ
滞后误差	563WS;563WS30(CG): < ± 0.023% 563WS30-E(-F; -H): < ± 0.03%	正常工作温度范围	-10°C - 50°C / 14°F - 122°F
蠕变	563WS;563WS30(CG): < ± 0.030% 563WS30-E(-F; -H): < ± 0.03%	安全极限载荷	150% 满量程
原材料	2Cr13 不锈钢	破坏极限载荷	300% 满量程
		密封方式	密封 / IP67
		接线方式	Exc+ 红 Exc- 黑 Sig+ 绿 Sig- 白 屏蔽线

量程	货号*	毛重(kg)	可互换产品			
			Avery Weigh-Tronix	Coti-Global	Rice Lake	Rice Lake
1.25Klb	563WS-1.25Klb-YZ	2.2	Weigh Bar	CG-WB-SS-1.25Klb	RL75000 SS-1.25Klb	RL32011WB-L-1.25Klb
2.5Klb	563WS-2.5Klb-YZ	3.0	Weigh Bar	CG-WB-SS-2.5Klb	RL75000 SS-2.5Klb	RL32011WB-L-2.5Klb
5Klb	563WS-5Klb-YZ	6.0	Weigh Bar	CG-WB-SS-5Klb	RL75000 SS-5Klb	RL32011WB-L-5Klb
10Klb	563WS-10Klb-YZ	7.0	Weigh Bar	CG-WB-SS-10Klb		RL32011WB-L-10Klb
25Klb	563WS-25Klb-YZ	15.5	Weigh Bar			
25Klb	563WS-25Klb-YZ-CG	15.5	Weigh Bar	CG-WB-SS-25Klb		
37.5Klb	563WS30-37.5Klb-YZ-CG	18.5	Weigh Bar	CG-WB-SS-37.5Klb		
37.5Klb	563WS30-37.5Klb-YZ	18.5	Weigh Bar			
50Klb	563WS30-50Klb-YZ	21.0	Weigh Bar			
50Klb	563WS30-E-50Klb-YZ-RP	18.5	27173	CG-WB-SS-50Klb-27173		
50Klb	563WS30-H-50Klb-YZ-RP	21.0	50104	CG-WB-SS-50Klb-50104		
60Klb	563WS30-F-60Klb-YZ-RP	26.0	55829	CG-WB-SS-60Klb-55829		
75Klb	563WS30-F-75Klb-YZ-RP	26.0	AWT27-500080	CG-WB-SS-75Klb-EZPOST		

* ATEX, FM, IECEx 认证版本货号带有“-Ex”后缀

 563WS30: 10Klb-75Klb: NTEP 1: 10 000 Class III / III L, Multiple Cell

 563WS30: 25Klb-75Klb: OIML MAA C6, Y=25 000